

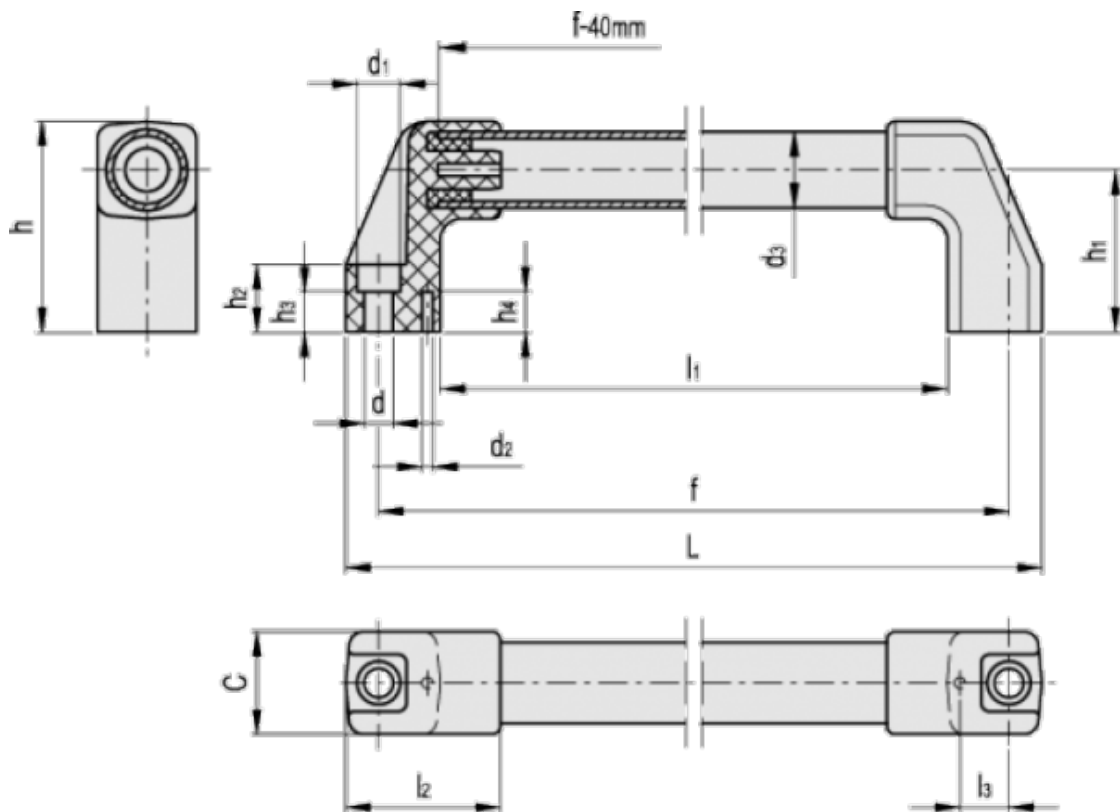
# Data Sheet



Article number: 2304037681

Description: E+G Tubular handle  
M.1043/20-700-EP

## Measures



c	= 28	h1 = 45
d	= 8.5	h2 = 18
d1	= 13.5	h3 = 9.5
d2	= 4	h4 = 15
d3	= 20	L = 720
E = Max . working load in N	= 600	l1 = 662
f	= 700	l2 = 47
h	= 58	l3 = 13

R = load at breakage in N = 900